



cism

Universal anti-theft hatch kit

Reference

K9850D

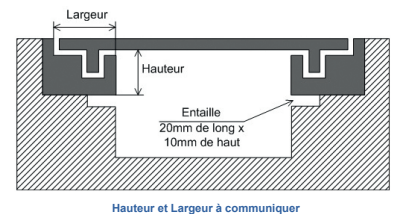
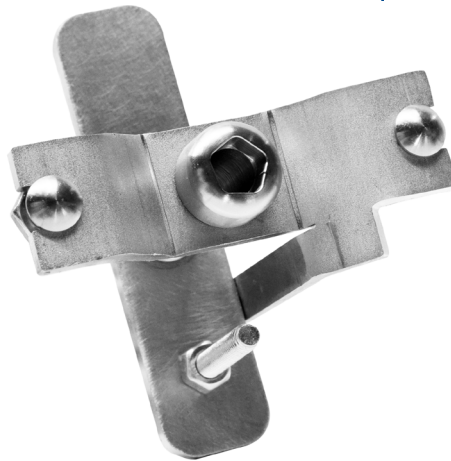
RANGE STARBOLT

+ SPECIFIC SHAPE IMPRINT

- Pentagon socket head
- Protection against theft and vandalism

+ SECURITY

- Restricts access to your sensitive equipment : technical inspection window, cable pulling chamber and other
- Removes the clacking of the cover when passing vehicles



+ STARBOLT MAGNETIC KEY: TC12

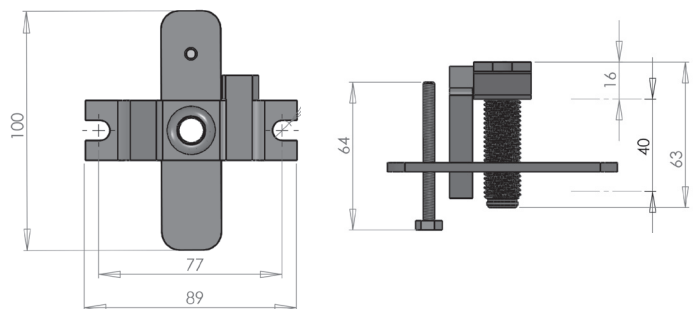
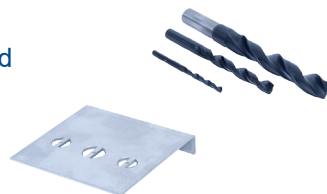
- High torque level
- Manual tool

CHARACTERISTICS

- STARBOLT SBE12x25k mechanical screw
- Stainless steel tipper cam lock th. 4mm
- Height adjustable stop

IN OPTION

- Mounting kit recommended for 10 kits: drilling template + drill bits



Specific requests, please consult us.

■ ■ French Production



84, rue Pierre Estienne - 63000 Clermont-Ferrand
 Tél : +33 (0)4 73 74 60 65 - E-mail : contact@cism.fr
 RCS Clermont-Ferrand B 450 216 775

www.cism.fr