



cism

# Anti-theft kit Reference for installed lighting column doors

Reference

## K1125A

or K1125E for the machine screw anti-theft kit

### RANGE STARBOLT

#### PATENTED MAGNETIC CODING

- Hole-free
- Burglar-proof / Stop Picking
- Protection against theft and vandalism
- Can be mounted on any support (masts, columns, pylons and miscellaneous assemblies, on any material (metal, wood, alu), by any manufacturer

#### SECURITY

- No relief on the door
- Integrated STARBOLT anti-theft screw
- On single key pattern or keyed alike
- Custom-designed coding, single key pattern



#### MAGNETIC TOOL: TA12

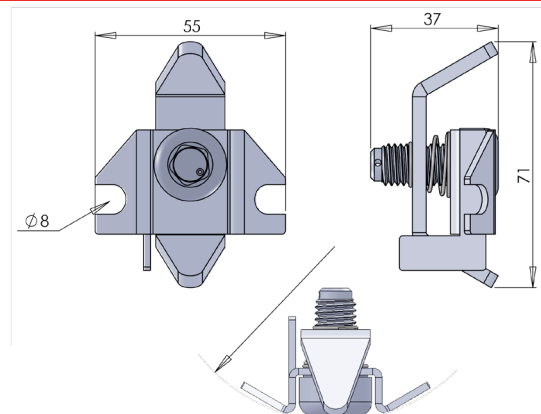
- Pentagon head tool drive
- Compatible with other STARBOLT products
- 48H key duplication service

### CHARACTERISTICS

- Coded screw STARBOLT SBA12x25k
- Stainless steel tipper cam lock th. 5mm
- Compression spring
- Each kit comprises fitting instructions
- Cam locking pin during loosening
- Non-detachable stop pin

#### OPTIONS

- Non-detachable bottom cleat
- Mounting kit recommended for 10 kits: drilling template + drill bits + sealing lacquer



Specific requests, please consult us.

  French Production



84, rue Pierre Estienne - 63000 Clermont-Ferrand  
Tél : +33 (0)4 73 74 60 65 - E-mail : contact@cism.fr  
RCS Clermont-Ferrand B 450 216 775

# www.cism.fr