



Reference

## V0-2

### RANGE LOCKS

#### + PATENTED MAGNETIC CODING

- Hole-free
- Burglar-proof / Stop Picking
- Protection against theft and vandalism
- Energy-free

#### + SECURITY

- Numbered cylinders and keys
- Single key pattern or keyed alike
- Key System on demand
- Anti-drilling pins

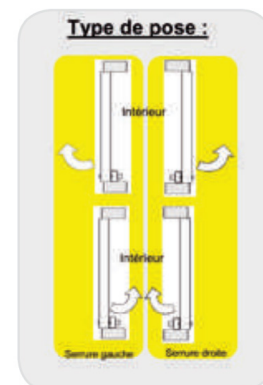


#### MAGNETIC KEY : VECTOR AND PREMIUM

- Captive key
- 48H key duplication service

### CHARACTERISTICS

- Treated steel cylinder
- Diameter 25mm, length 46mm
- Chest thickness 29mm (including 3mm anti-burglary plate)
- Box and guard made of corrosion-resistant steel
- Bolts diameter 16mm and stroke 25mm
- Numbered cylinders and keys
- Ownership card allowing duplication of products
- Dimensional characteristics: see diagrams
- Supplied with fixing screws
- Type of installation (right or left) to be defined at the control



Specific requests, please consult us.

■ ■ French Production

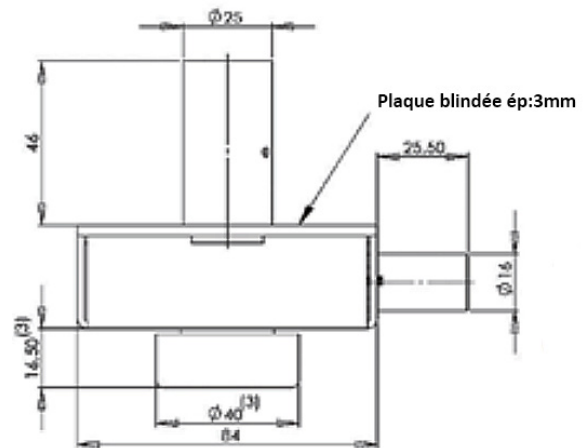
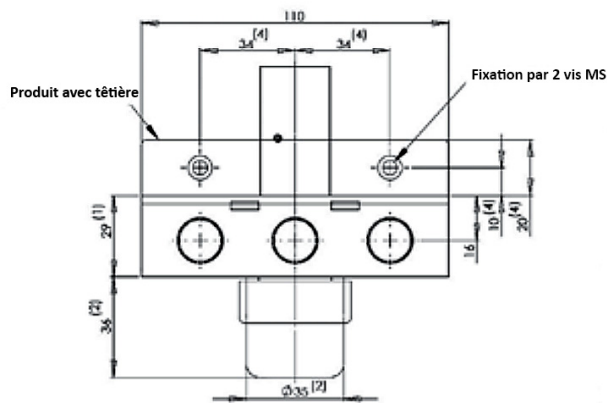




## Dimensions

### Single Entry Option

### Single Entry Option



### Double button input option

### Headholder

