



Reference

## BAC01

RANGE ATLAS



### PATENTED MAGNETIC CODING

- Hole-free
- Burglar-Proof / Stop Picking
- Protection against theft and vandalism
- Simple, secure management of your keys and badges



### SECURITY

- Numbered cylinders and keys
- On single key pattern or keyed alike
- Key system on request



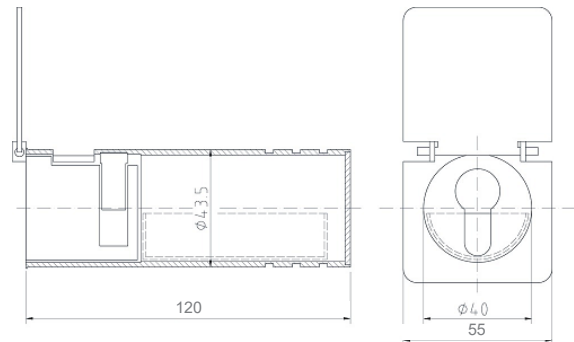
### MAGNETIC KEY: CLEO-CE

- Captive key
- Compatible with ATLAS and EPSY products
- 48H key duplication service



## CHARACTERISTICS

- Polished finish
- Ø tube 40 mm (badge passage ok)
- Stainless steel tube and cap
- Anti-drilling pins
- Flat-side locking and fool-proofing system
- In-wall box
- Chemical seal attachment system



Specific requests, please consult us



French Production

