



Reference

## B19R-D-8010

B19R-G-8010 if opening on left

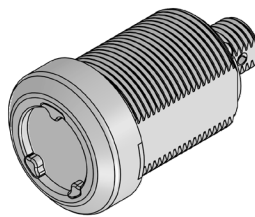
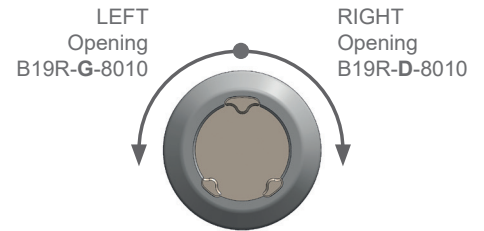
### RANGE EPSY

#### PATENTED MAGNETIC CODING

- Hole-free, highly resistant to spraying, various detergents and cleaning products
- Burglar-proof / Stop Picking
- Protection against theft and vandalism
- Restricts access to your sensitive equipment: cabinets electrical, hatches, vending, etc.

#### SECURITY

- Anti-Bumping
- Numbered cylinders and keys
- Single key pattern or keyed alike
- Key System on demand
- Right or left opening - to be defined (see diagram below)

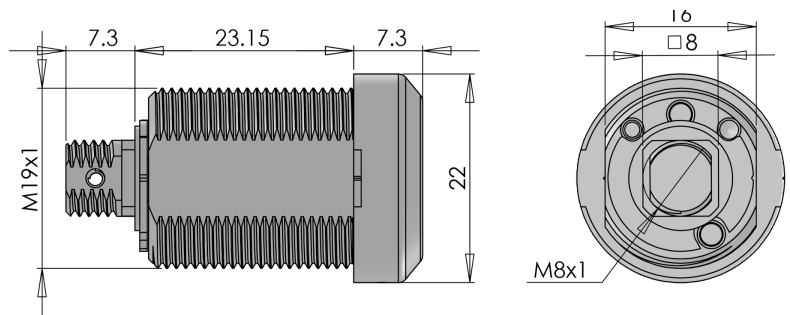


#### MAGNETIC KEY : CLEO-CE

- Captive key
- Compatible with ATLAS and EPSY products
- 48H key duplication service

### CHARACTERISTICS

- Nickel-plated finish
- M19 threaded body
- Anti-drilling pins
- Key to be ordered separately
- Square male cam drive 8 x 8 mm
- Flat side positioning
- Delivered with fixing bolts and without a cam
- Specify if using vertical assembly



Specific requests, please consult us.

French Production