



cism

# Barrel for EDF lock

Reference

## D20R-D-9010

RANGE LOCKS



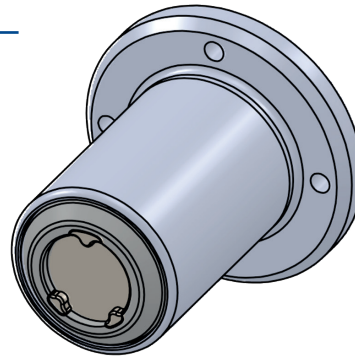
### PATENTED MAGNETIC CODING

- Hole-free
- Burglar-proof / Stop Picking
- Protection against theft and vandalism
- Mounting on EDF type 1-point lock box



### SECURITY

- Numbered cylinders and keys
- Single key pattern or keyed alike
- Key System on demand

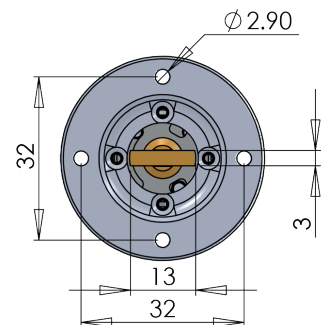
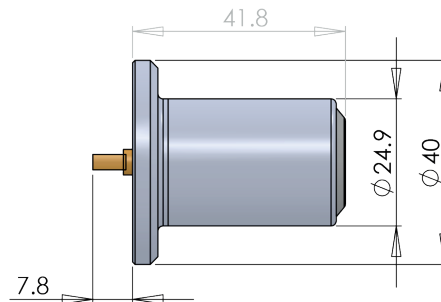


### MAGNETIC KEY : CLEO-CE

- Captive key
- Compatible with ATLAS and EPSY products
- 48H key duplication service

## CHARACTERISTICS

- Stainless steel body
- Anti-sealing pins
- Fixing by 4 countersunk head screws already present on the lock
- Specify if vertical mounting



Specific requests, please consult us.

■ ■ French Production



84, rue Pierre Estienne - 63000 Clermont-Ferrand  
 Tél : +33 (0)4 73 74 60 65 - E-mail : contact@cism.fr  
 RCS Clermont-Ferrand B 450 216 775

# www.cism.fr